

6

5

4

3

2

1

D

D

C

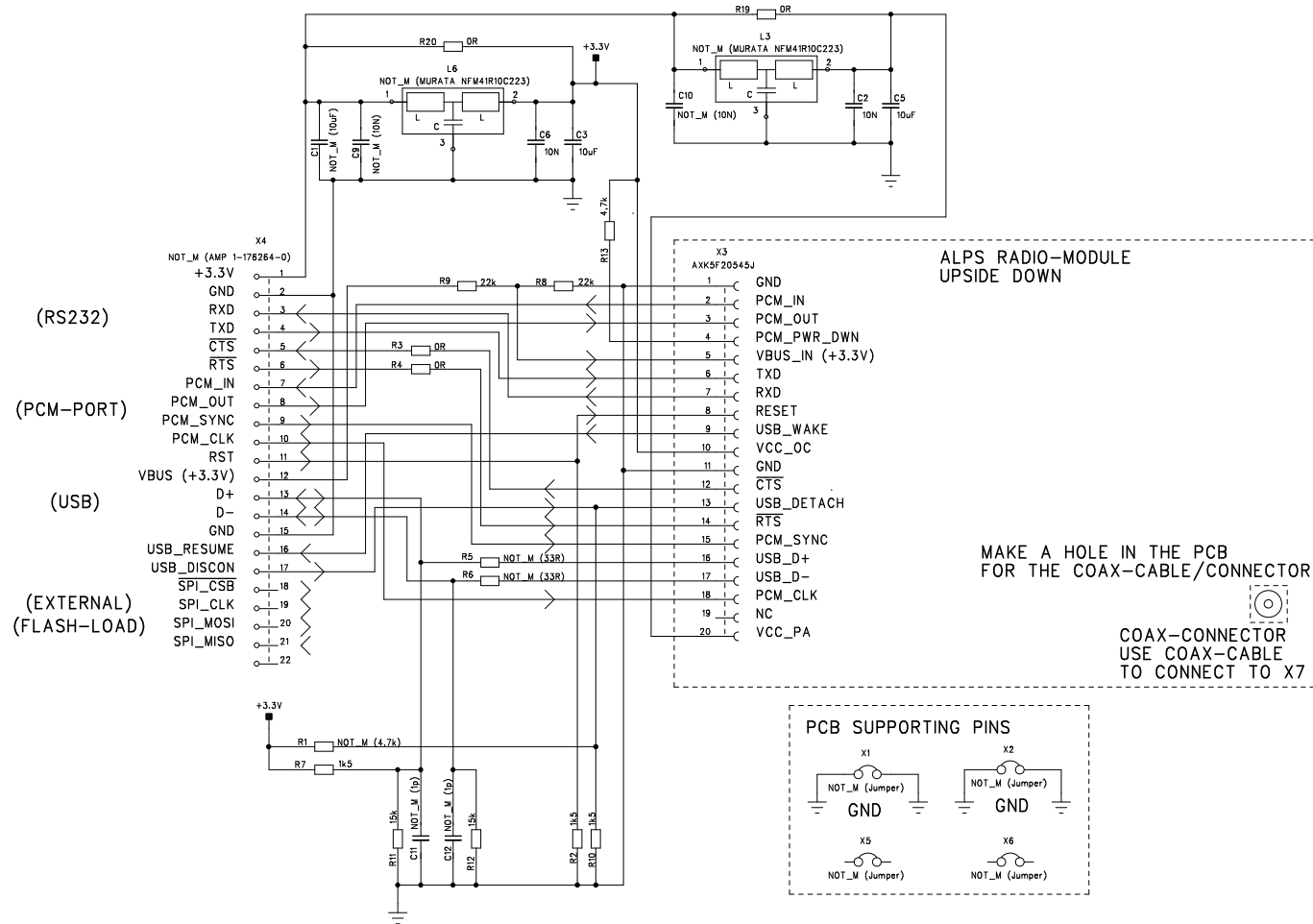
C

B

B

A

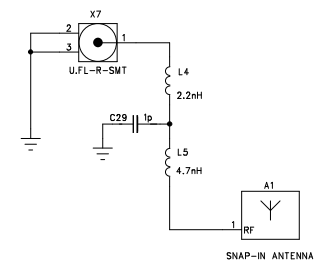
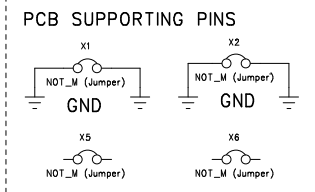
A



ALPS RADIO-MODULE UPSIDE DOWN

MAKE A HOLE IN THE PCB FOR THE COAX-CABLE/CONNECTOR

COAX-CONNECTOR USE COAX-CABLE TO CONNECT TO X7



L4 = 2.2nH FOR IMPEDANCE MATCH
L5 = 4.7nH FOR IMPEDANCE MATCH
C29 = 1.0pF FOR IMPEDANCE MATCH

Name:	RADIO		Spec:	Rev:
CIRCUIT DIAGRAM			Date:	Des:
AXIS COMMUNICATIONS AB, SWEDEN			Sheet	Appr: