

AXIS ETRAX 100LX MCM 4+16

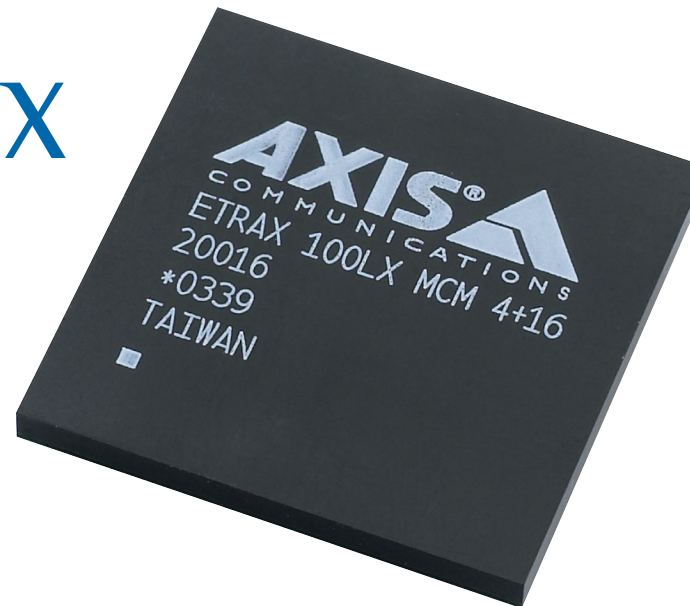
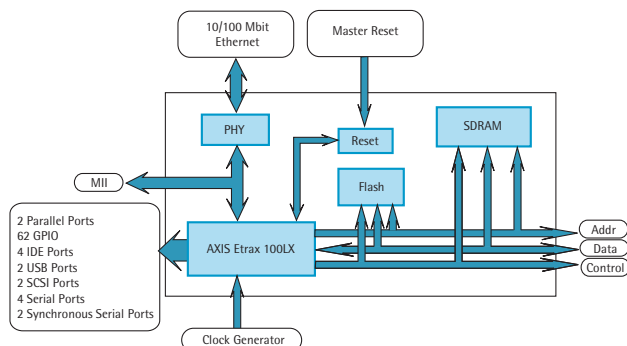
*The complete Linux computer
in a single multi-chip module*

The AXIS ETRAX 100LX MCM integrates the most common components used within a standard ETRAX hardware design, such as 4MB Flash and 16MB SDRAM into a single multi-chip module (MCM).

Optimal miniaturization and easier integration into your target system design are amongst the many potential benefits offered by its modular system architecture.

Reducing development lead times

With most of the timing-sensitive components integral in its design, the AXIS ETRAX 100LX MCM eliminates the time-consuming effort required for developing reliable system hardware. For you as a system designer, the AXIS ETRAX 100LX MCM provides a stable hardware platform that leaves you free to focus on your product design. Cutting development lead times significantly, you can now design your system in days rather than weeks!



Powerful software development kit

The SDK for the AXIS ETRAX 100LX family is based on the standard Linux 2.4 kernel, which allows you to port applications available for standard PC Linux quickly and easily. Including a Memory Management Unit (MMU), the ETRAX processor provides memory protection and 100% source code compatibility with common Linux applications.

- Powerful integrated SoC based on AXIS ETRAX 100LX
- Designed for running Linux 2.4, includes an MMU
- Low power consumption
- 4MB Flash and 16MB SDRAM integrated
- 10/100 Mbit Ethernet, including integrated transceiver*
- Several I/O options e.g. Ethernet, RS-232/485, USB, IDE, SCSI, Parallel, GPIO...
- No license fees
- Extensive documentation and reference designs available on <http://developer.axis.com>



